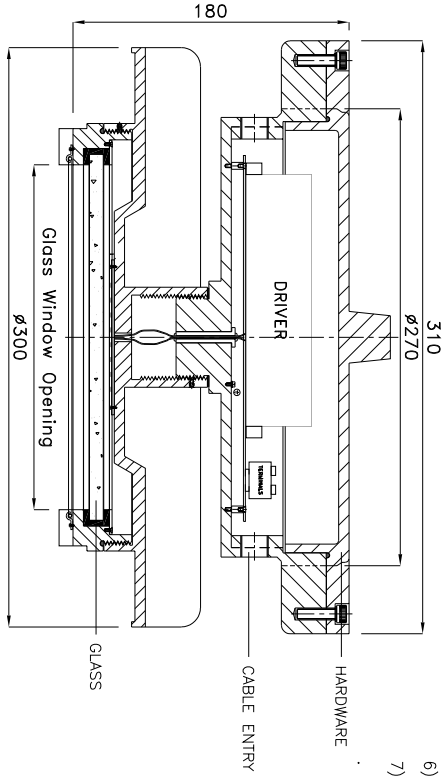


Plan View of Flood Light Fitting
(TYPE - 2)

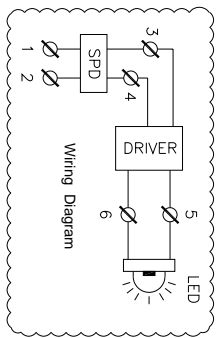


SECTIONAL VIEW OF FLOOD LIGHT FITTING
SECTION - B-B'

- Light Fitting Standard Specification :**
- a) WATTAGE : 150 WATTS
 - b) VOLTAGE : 140V-270V AC
 - c) POWER FACTOR : >0.95
 - d) INPUT FREQUENCY : 50 Hz
 - e) EFFICACY : >100 LUMEN PER WATT
 - f) COLOUR (CCT) : 3000K/5700K/6500K/OR AS SPECIFIED
 - g) CRI : >80 RA
 - h) TOTAL HARMONIC DISTORTION : ≤ 10% THD
 - i) BEAM ANGLE : 120 DEGREE
 - j) SURFACE TEMPERATURE : MAX. 70°
 - k) SURGE PROTECTION : 10 KV SPD

Light Fitting OPTIONS :

- Light Fitting CONSTRUCTION :** STAINLESS STEEL
- 1) MATERIAL CONSTRUCTION : STAINLESS STEEL
 - 2) VOLTAGE : 220V DC/110V AC/110V DC/24V AC
 - 3) BEAM ANGLE : LENS AVAILABLE 60/90/120 DEGREE
 - 4) LED MAKE : CITIZEN/OSRAM/BRIDGELUX/EQUIVALENT
 - 5) DRIVER MAKE : OSRAM/PHILIPS/FULHAM/EQUIVALENT
 - 6) CABLE GLAND & PLUG : BRASS/S.S./ALUMINIUM
 - 7) WIRE GUARD : M.S. WHITE EPOXY POWDER COATED / S.S.



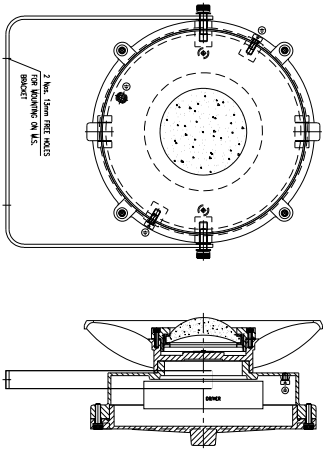
- Reference IS/IEC Standard as follows :**
- 1 - FLAMEPROOF (Ex d) PROTECTION - IIA/IIb & IIC, IS/IEC 60079-1 (2014)
 - TEMPERATURE CLASS - T6
 - 2 - INGRESS (IP) PROTECTION - IP-66, IS/IEC 60529 (2001). (Reaffirmed 2014)

Standard Specification :

- 1 - MATERIAL - CAST ALUMINIUM ALLOY
- 2 - FINISH - INSIDE & OUTSIDE LIGHT GREY EPOXY POWDER COATING SHADE No. 631 AS PER IS-5
- 3 - EARTHING - 1 No. INSIDE & 2 Nos. OUTSIDE M6 SIZE S.S./BRASS SCREWS WITH 2 Nos. PLAIN WASHER
- 4 - HARDWARE - STAINLESS STEEL
- 5 - GASKET - 'O' RING ENDLESS NEOPRENE RUBBER GASKET
- 6 - MOUNTING ARRGT. - AS SHOWN IN DRG.

Material / Components Specification :

- 1 - S.S. NAME CUM WARNING PLATE (WITH DESCRIPTION TITLE, CIMFR, PESO, SR. NO., GAS GROUP, RATING, BIS MARKING, WARNING STATUS, etc...)
- 2 - GLASS - HEAT RESISTANCE CLEAR TOUCHED GLASS 'TYPE-A' OF 'SUDHIR' BRAND
- 3 - CABLE ENTRIES - 2 Nos. M20 / 1/2" NPT / 3/4" ET SIZE CABLE ENTRIES FROM SIDE (REFER DRAWING)
- 4 - TERMINALS - 6 Nos. 2.5sq. mm (MICRO) CLIP-ON TYPE TERMINALS OF 'ELMEY/CONNECTWELL' MAKE



Bracket For Flood Light Fitting

THIS DRAWING IS PROPERTY OF "SUDHIR SWITCHGEARS PVT. LTD." AND MUST BE RETURNED ON REQUEST IT IS SUBMITTED AS CONFIDENTIAL INFORMATION IN CONNECTION WITH ENQUIRY, TENDER, ORDER, OR CONTRACTS IT IS NOT TO BE USED FOR ANY OTHER PURPOSE OR ORDER NOR MAY IT RE-COPIED OR LENT WITHOUT OUR AUTHORITY IN WRITING.

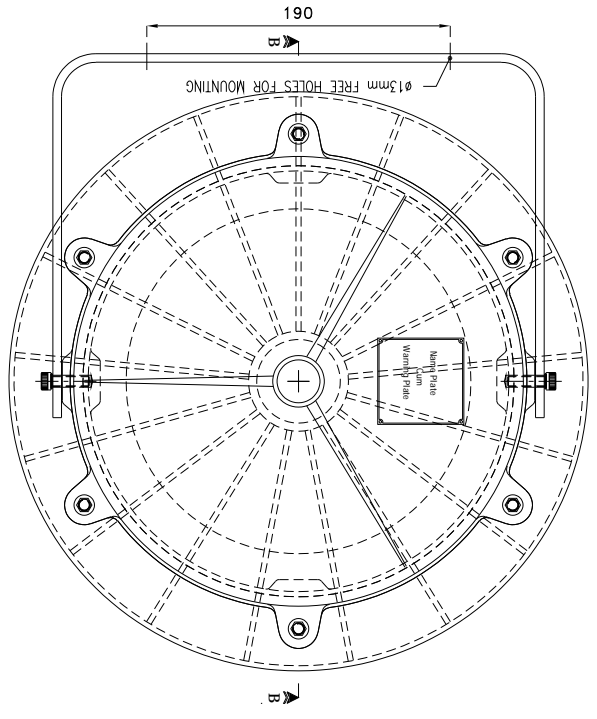
NOTE :
 COMPONENT LAYOUT IS TENTATIVE RELOCATION OF PARTS & COMPONENTS IS POSSIBLE AT THE TIME OF ACTUAL MANUFACTURING.
 OVERALL DIMENSIONS ARE ±10mm

REV.	DATE	DESCRIPTION	DRN.	CHKD.	APPD.	SCALE	REV.-0
Δ							
Δ							
Δ							

SUDHIR SWITCHGEARS PVT. LTD.
 130, MULBARI SAMACHAR MARG, MULBARI - 400 023

TITLE : FIP-WP ENCLOSURE FOR FLOOD LIGHT
 FITTING SUITABLE FOR 150 WATTS LED LIGHT FITTING

DRN. No. : IN/CIMFR/TR21/P/H176
DATE : Dt. 11/08/2021
CHKD. No. : P546023/1
DATE : Dt. 26/09/2022
APPD. No. : CM/L-0002914461

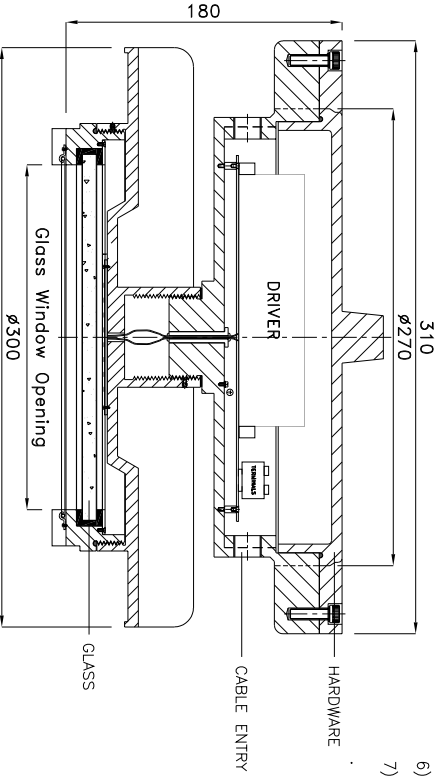


Plan View of Flood Light Fitting (TYPE - 2)

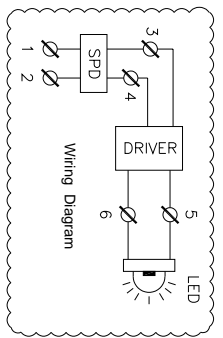
- Light Fitting Standard Specification :**
- a) WATTAGE : 200 WATTS
 - b) VOLTAGE : 140V-270V AC
 - c) POWER FACTOR : >0.95
 - d) INPUT FREQUENCY : 50 Hz
 - e) EFFICACY : >100 LUMEN PER WATT
 - f) COLOUR (CCT) : 3000K/5700K/6500K/OR AS SPECIFIED
 - g) CRI : >80 RA
 - h) TOTAL HARMONIC DISTORTION : ≤ 10% THD
 - i) BEAM ANGLE : 120 DEGREE
 - j) SURFACE TEMPERATURE : MAX. 70°
 - k) SURGE PROTECTION : 10 KV SPD

Light Fitting OPTIONS :

- Light Fitting CONSTRUCTION :** STAINLESS STEEL
- 1) MATERIAL CONSTRUCTION : STAINLESS STEEL
 - 2) VOLTAGE : 220V DC/110V AC/110V DC/24V AC
 - 3) BEAM ANGLE : LENS AVAILABLE 60/90/120 DEGREE
 - 4) LED MAKE : CITIZEN/OSRAM/BRIDGELUX/EQUIVALENT
 - 5) DRIVER MAKE : OSRAM/PHILIPS/FULHAM/EQUIVALENT
 - 6) CABLE GLAND & PLUG : BRASS/S.S./ALUMINIUM
 - 7) WIRE GUARD : M.S. WHITE EPOXY POWDER COATED / S.S.



SECTIONAL VIEW OF FLOOD LIGHT FITTING SECTION -- B-B'



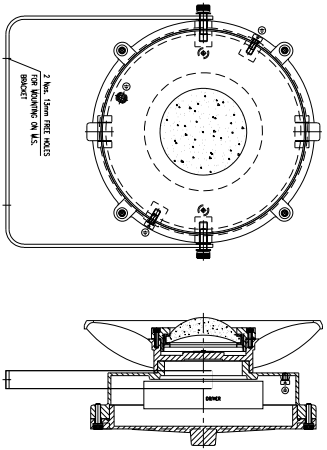
NOTE :
 COMPONENT LAYOUT IS TENTATIVE RELOCATION OF PARTS & COMPONENTS IS POSSIBLE AT THE TIME OF ACTUAL MANUFACTURING.
 OVERALL DIMENSIONS ARE ±10mm

REV.	DATE	DESCRIPTION	DRN.	CHKD.	APPD.	SCALE
Δ						
Δ						
Δ						

- Reference IS/IEC Standard as follows :**
- 1 - FLAMEPROOF (Ex d) PROTECTION - IIA/IIb & IIC, IS/IEC 60079-1 (2014)
 - TEMPERATURE CLASS - T6
 - 2 - INGRESS (IP) PROTECTION - IP-66, IS/IEC 60529 (2001). (Reaffirmed 2014)
- Standard Specification :**
- 1 - MATERIAL - CAST ALUMINIUM ALLOY
 - 2 - FINISH - INSIDE & OUTSIDE LIGHT GREY EPOXY POWDER COATING SHADE No. 631 AS PER IS-5
 - 3 - EARTHING - 1 No. INSIDE & 2 Nos. OUTSIDE M6 SIZE S.S./BRASS SCREWS WITH 2 Nos. PLAIN WASHER
 - 4 - HARDWARE - STAINLESS STEEL
 - 5 - GASKET - 'O' RING ENDLESS NEOPRENE RUBBER GASKET
 - 6 - MOUNTING ARRGT. - AS SHOWN IN DRG.

Material / Components Specification :

- 1 - S.S. NAME CUM WARNING PLATE (WITH DESCRIPTION TITLE, CIMFR, PESO, SR. NO., GAS GROUP, RATING, BIS MARKING, WARNING STATUS, etc...)
- 2 - GLASS - HEAT RESISTANCE CLEAR TOUCHED GLASS 'TYPE-A' OF 'SUDHIR' BRAND
- 3 - CABLE ENTRIES - 2 Nos. M20 / 1/2" NPT / 3/4" ET SIZE CABLE ENTRIES FROM SIDE (REFER DRAWING)
- 4 - TERMINALS - 6 Nos. 2.5sq. mm (MICRO) CLIP-ON TYPE TERMINALS OF 'ELMEY/CONNECTWELL' MAKE



Bracket For Flood Light Fitting

THIS DRAWING IS PROPERTY OF "SUDHIR SWITCHGEARS PVT. LTD." AND MUST BE RETURNED ON REQUEST IT IS SUBMITTED AS CONFIDENTIAL INFORMATION IN CONNECTION WITH ENQUIRY, TENDER, ORDER, OR CONTRACTS IT IS NOT TO BE USED FOR ANY OTHER PURPOSE OR ORDER NOR MAY IT RE-COPIED OR LENT WITHOUT OUR AUTHORITY IN WRITING.

THANJE

SUDHIR SWITCHGEARS PVT. LTD.
 130, MULBERRY SAMACHAR MARG, MULBERRY - 400 023

WG/1240
 MODEL No.: WG/1240/FL/200

DRN. / CHKD. / APPD.
 DRN. / CHKD. / APPD.

DESCRIPTION
 FITTING SUITABLE FOR 200 WATTS LED LIGHT FITTING

QMR. CERT. No.
 IN/CIMFR/TR21/P/H176

PESO No. :
 P546023/1

BIS LICENCE No. :
 CM/L-0002914461

Dt.
 Dt. 11/08/2021

Dt.
 Dt. 26/09/2022